

CAUTIONS

- I . This machine is not intended for use by the physically weak, intellectually obtuse or mentally disabled people (including children), unless it is safely used under the help or instructions of those who are responsible for their safety
- II . The children shall be supervised to ensure that they will not play the machine.
- III. Be sure to remove the power plug from the socket before cleaning or repairing the machine.
- IV. In the event that the power cables are damaged or loose, please have them replaced by the manufacturer's service station or qualified technician. The connection is Y-type connection
- V . Remove the power plug from the socket immediately after stopping the machine.
- VI. Power supply must be matched with the power voltage and frequency of the machine

CONTENTS

Product Introduction -----	1
Product Characteristics -----	1
Main Structure -----	1
Operation Cautions -----	2
Maintenance -----	2
Main Troubles and How to Solve Them -----	3
Accessories -----	3
Technical Parameters -----	4
Product Exploded View -----	5-9

Product Introduction

Thank you for buying and using the SC2A floor scrubber with rotatory scrubber disc. This machine is characterized by easy operation, safety in use, integration of scrubbing and drying, high cleaning efficiency and outstanding cleaning effects and is an ideal selection for replacing ordinary floor scrubbers and water sucking machines. It especially applies to large and medium-sized public places such as wineshops, hotels, office buildings and exhibition halls.

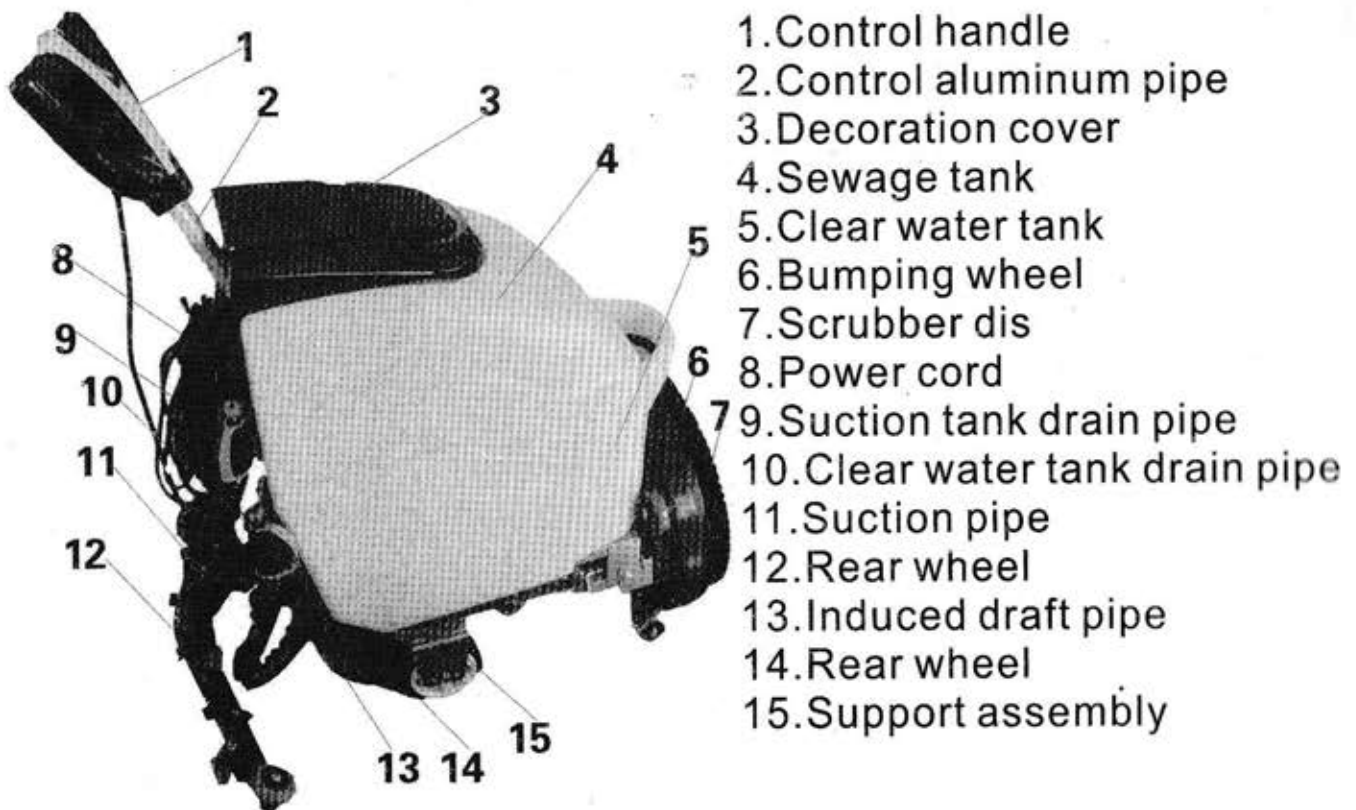
The SC2A floor scrubber with rotatory scrubber disc is an essential cleaning device in the modern cleaning machinery.

Product Characteristics

- I . It has a large working width and uses a 110 V AC driving disc for driving.
- II . It uses single-brush direct gear box driving and thus has a strong scrubbing force.
- III . It uses upper and lower balance tank design to strengthen operation stability.
- IV . The machine body is short, rotatable by 360° and easy to operate flexibly.
- V . The scrubber disc is provided with a rotary device for free walking and easy to disassemble and assemble.

Main Structure

The main structure of the SC2A floor scrubber is shown in Figure 1:



Operation Cautions

- I . Adjust the control handle properly after unpacking, and install the sewage tank and the scrubbing brush.
- II . Check whether the power socket in the workplace conforms to the standard of the plug. Ensure that the power voltage is in the range of 110–120V. Too high or too low voltage may cause the machine to improperly operate, overheat, even burn out.
- III. Add an appropriate amount of aqueous solution of cleaning agent as required for the cleaning.
- IV. Adjust the control handle to an angle appropriate to you.
- V . Push the right red fuse switch towards the handle center, open the power supply handle switch, and the floor scrubber rotates and starts to clean. The front switches of the handle are a drain solenoid valve switch and a water sucking motor switch. Before startup, both hands must grasp the control handle and other personnel shall not stand near the machine to avoid their injury caused by the swinging of the floor scrubber due to insufficient grasp of the control handle.
- VI. Loosen the power supply handle switch, and the machine stops running immediately.
- VII. After cleaning is over, adjust the control handle to the vertical position. At the same time, reverse the scrubber disc to enable the scrubber disc wheel to touch the ground, and lock the scrubber disc lockpin to prevent the scrubber disc from sliding. Wipe the machine frequently with a rag to extend the service life of the floor scrubber
- VIII. Never apply any extra weight on the machine, otherwise it will increase the load of the floor scrubber, even burn out the motor or damage the gear of the planetary reducer.
- IX. Never operate in rain to avoid current leakage and motor burnout.

Maintenance

- I . The machine is designed in consideration of moisture-proof requirements. Generally, no problem will occur as long as you take care to prevent the water from entering the machine in normal use. Never let water or cleaning agent to directly enter the power plug or machine body in use to avoid short circuit or electric shock.
- II . Never dismantle the machine by yourself. In case of motor or reduction gearbox failure, notify this company or your agency for maintenance.
- III. Never replace the operating or startup capacitor with a capacitor that does not conform to the requirements of this machine, otherwise it may cause damage to the motor.
- IV. Never use the control handle plastic handle, tie pod or button with an excessive force to avoid damage.
- V . After use, please drain the clear water and sewage in the tank and clean the tank and piping to avoid blocking.
- VI. After use, please wash the suction head and wipe it with a cloth.

Main Troubles and How to Solve Them

Trouble	Cause	How to Solve
The motor startup is slow	The 400 microfarad startup capacitor is damaged The centrifugal switch is damaged The external power voltage is unstable	Replace the startup capacitor/Replace the centrifugal switch/Check whether the voltage reaches the standard
The motor does not run	The power switch is damaged The 10A overload protector is in abnormal on state The power cord is not properly connected or there is no power supply	Replace the switch or close the 10A overload protector, and check whether
The motor does not powerfully work	The 50 microfarad operating capacitor is damaged The motor operating winding is damaged	Replace the capacitor and send it to the manufacturer for maintenance
The suction motor works but suction fails	Check whether the piping is blocked Check whether the suction pipe is properly connected and sealed	Clean the sewage tank and piping Reconnect and seal the suction pipe
The motor runs but scrubbing fails	The linkage device that connects the motor to the reduction gearbox is damaged	Replace the linkage device
Drainage fails at normal power voltage	The drain switch is damaged The drain solenoid valve is burned out The clear water tank outlet is blocked	Replace the drain switch Replace the solenoid valve Remove dirt in the clear water tank
The motor does not run without any external pressure, but there is current noise. The reduction gearbox does not run	The gears in the reduction gearbox are latched or swept. The startup capacitor or centrifugal switch fails	Recheck the reduction gearbox, and if necessary, replace the gears. Check and replace the startup capacitor or centrifugal switch
The control handle cannot be adjusted	The adjustment tie rod in the aluminum pipe shows the evidence of loose screw or looseness	Check the adjustment tie rod for looseness. If necessary, replace it

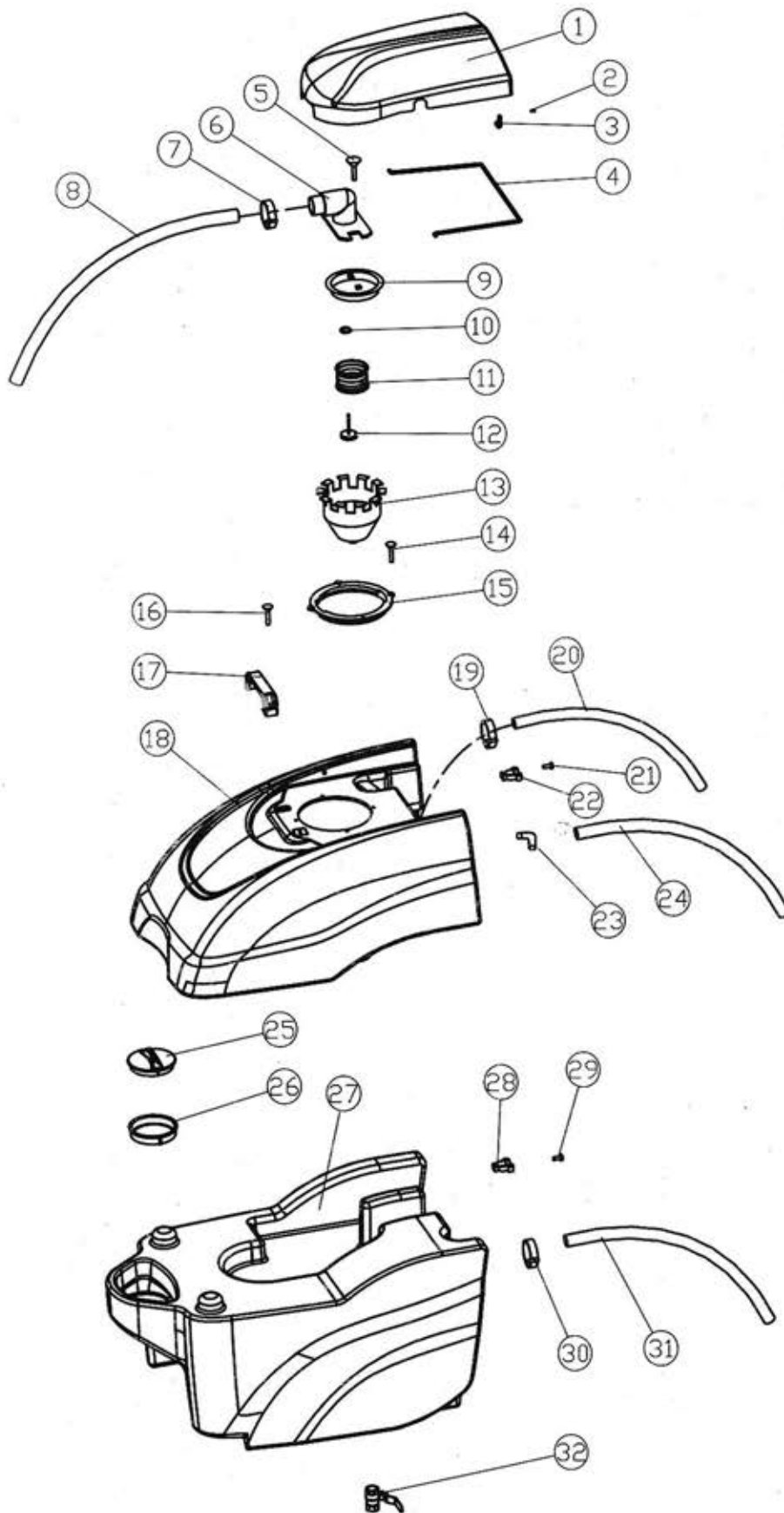
Accessories

1. Machine	1 set	5. Scrubbing brush	1 piece
2. Control handle	1 set	6. Pin terminal	1 piece
3. Power cord	1 piece	7. User manual	1 piece
4. Tank	2 pieces	8. Quality certificate	1 piece

Technical Parameters

Voltage/Frequency	110 V-120V~/60Hz
Width of suction head	770mm
Scrubber disc diameter	ø455mm
Scrubbing brush motor	750W
Scrubbing brush pressure	75kg
Suction motor	1000W
Scrubbing brush RPM	148rpm/min
Power cord length	18m
Working width	455mm
Clear water tank	27. 8L
Sewage tank	31. 3L
Clean efficiency	1820m ² /h
Body weight	75kg
Packaging size	96.5X61.5X102cm

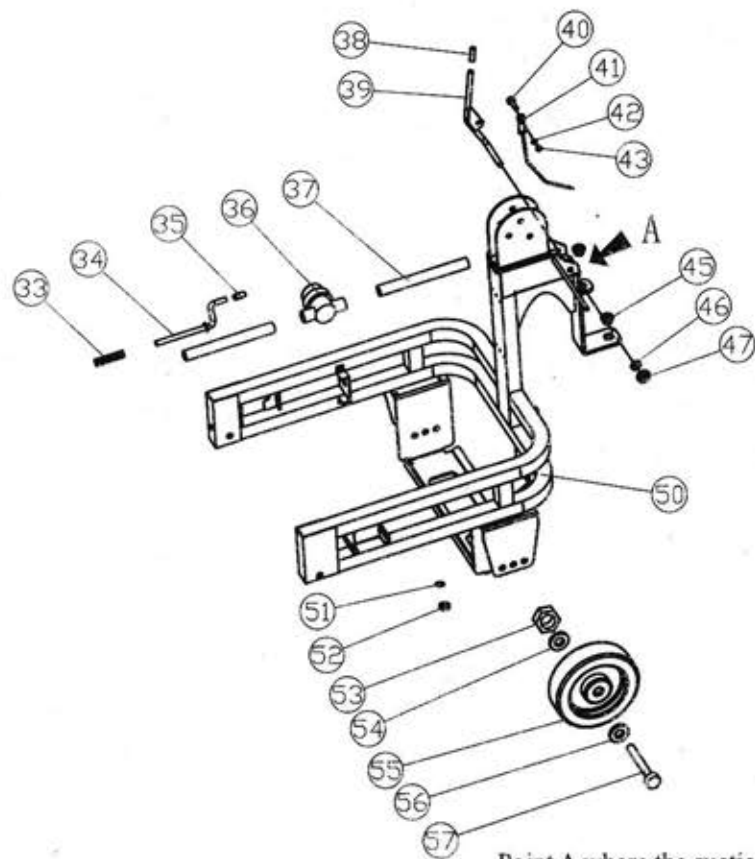
SC2A tank assembly exploded view



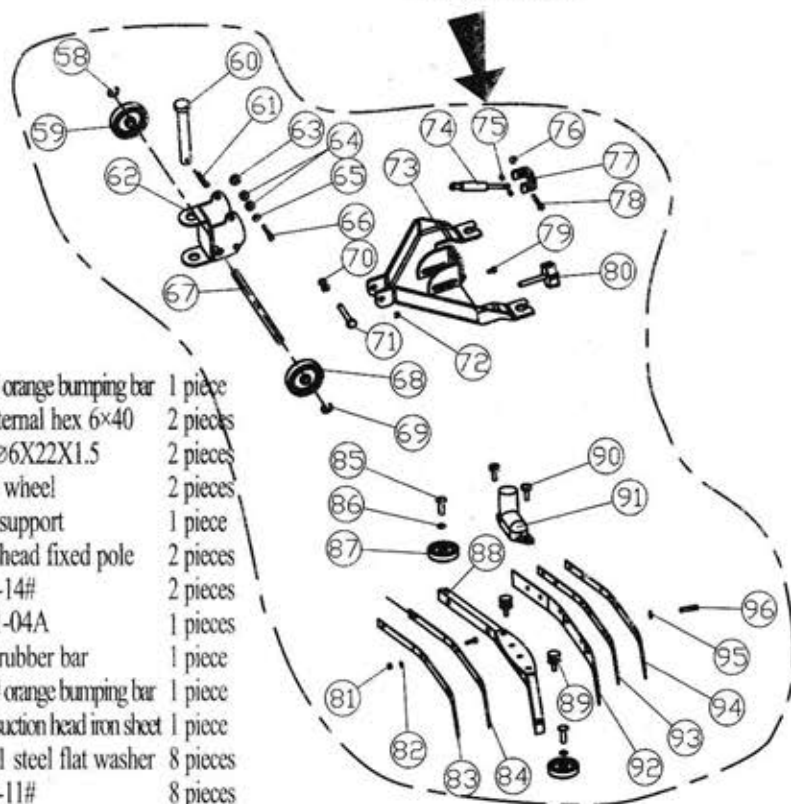
- | | |
|--|----------|
| 1. Decoration panel | 1 piece |
| 2. 5×10 round head screw | 2 pieces |
| 3. Thread end | 2 pieces |
| 4. Sliding U-shaped Support | 1 piece |
| 5. 5×20 round head screw | 2 pieces |
| 6. CB-461-05# | 1 piece |
| 7. Hose clamp 33×57mm | 1 piece |
| 8. Steel wire tube 1200mm | 1 piece |
| 9. CB-461-04# | 1 piece |
| 10. CB-461 large rubber ring | 1 piece |
| 11. CB-161-16# | 1 piece |
| 12. Floater lifting rod | 1 piece |
| 13. CB-461-02# | 1 piece |
| 14. 5×10 sunk screw | 4 pieces |
| 15. CB-461-07# large | 1 piece |
| 16. 5×25 round head screw | 2 pieces |
| 17. Handle | 1 piece |
| 18. Sewage tank | 1 piece |
| 19. Hose clamp 33×57mm | 1 piece |
| 20. Steel wire tube 600mm | 1 piece |
| 21. 5×10 round head screw | 1 piece |
| 22. Drain pipe clamp | 1 piece |
| 23. 4" Bend elbow | 1 piece |
| 24. Steel wire tube 950mm | 1 piece |
| 25. Clear water tank cover | 1 piece |
| 26. Fixed clear water tank cover rubber ring | 1 piece |
| 27. Clear water pipe | 1 piece |
| 28. Drain pipe clamp | 1 piece |
| 29. 5×10 round head screw | 1 piece |
| 30. Hose clamp 33×57mm | 1 piece |
| 31. Steel wire tube 600mm | 1 piece |
| 32. Ball valve | 1 piece |

SC2A support and suction head exploded view

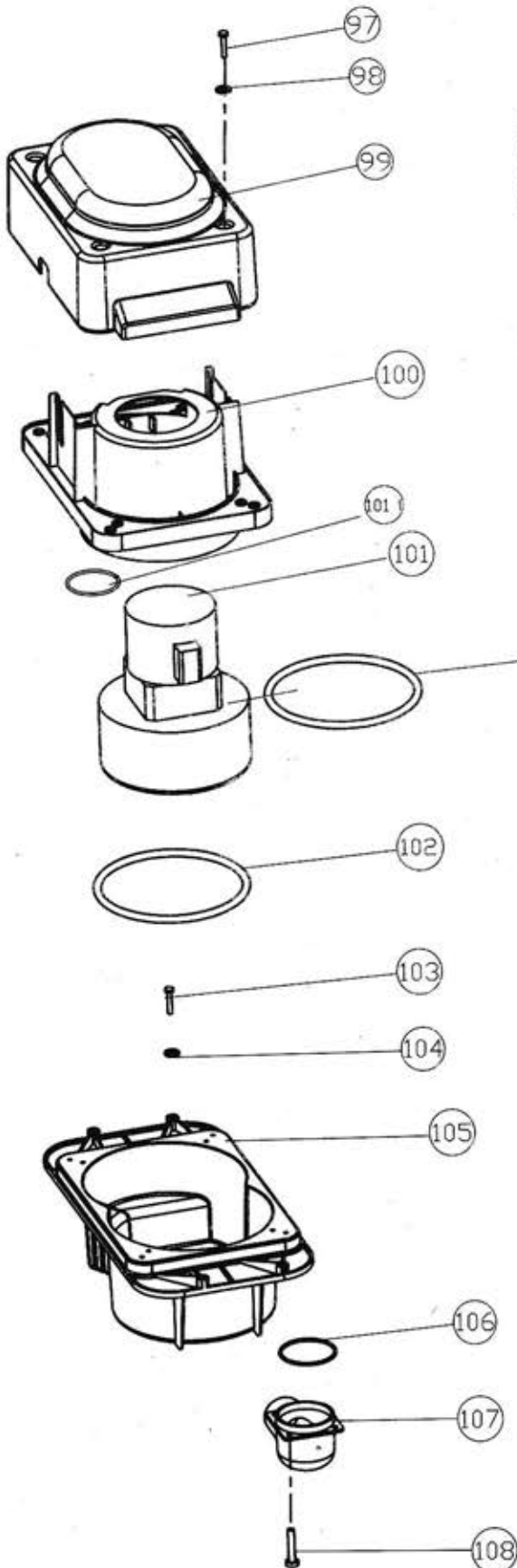
- | | |
|---|----------|
| 33. 1×10.5×65×18N | 1 piece |
| 34. Floor scrubber brush turning moving rod | 1 piece |
| 35. Rubber casing M8 | 1 piece |
| 36. Three-in-one filter | 1 piece |
| 37. 8×12 silicone tube | 2 pieces |
| 38. Rubber casing M8 | 1 piece |
| 39. Floor scrubber handle (long) | 1 piece |
| 40. Steel external hex 6×25 | 1 piece |
| 41. XD2A wire | 1 piece |
| 42. Washer ∅6X12X1 | 1 piece |
| 43. Tapping nut M6 | 1 piece |
| 45. Steel wire sheath | 2 pieces |
| 46. Washer ∅8X16X1 | 1 piece |
| 47. Tapping nut M8 | 1 piece |
| 50. Support assembly | 1 piece |
| 51. ∅5 flat washer | 1 pieces |
| 52. Tapping nut M5 | 1 piece |
| 53. Tapping nut M10 | 2 pieces |
| 54. ∅10 flat washer | 2 pieces |
| 55. XD2A rear wheel | 2 pieces |
| 56. ∅10 flat washer | 2 pieces |
| 57. Steel external hex 10×75 | 2 pieces |
| 58. ∅12 steel opening snap ring | 1 piece |
| 59. 3×1 grey rubber tire | 1 piece |
| 60. ∅16×100 shaft pin | 1 piece |
| 61. Hairpin pin | 1 piece |
| 62. Fixed block B | 1 piece |
| 63. Tapping nut M8 | 1 piece |
| 64. ∅13×8.5×24 iron casing | 2 pieces |
| 65. Washer ∅8X16X1 | 1 piece |
| 66. M8×70 steel screw | 1 piece |
| 67. ∅12×15 axle | 1 piece |
| 68. 3×1 grey rubber tire | 1 piece |
| 69. ∅12 steel opening snap ring | 1 piece |
| 70. Rubber casing ∅16×10×8 | 2 pieces |
| 71. ∅9×63 shaft pin | 1 piece |
| 72. ∅9 opening snap ring | 1 piece |
| 73. Suction head fixed support B | 1 piece |
| 74. 18N gas spring | 1 piece |
| 75. Axle sleeve ∅12×8×14 | 2 pieces |
| 76. Tapping nut M8 | 1 piece |
| 77. U-shaped support | 1 piece |
| 78. Steel bolt 8×55 | 1 piece |
| 79. Steel bolt 6×15 | 1 piece |
| 80. 8×45 Lock nut 8×45 | 1 piece |
| 81. Tapping nut M6 | 4 pieces |
| 82. Washer ∅6X16X1 | 4 pieces |
| 83. CB-461 suction head iron sheet (short) | 1 piece |
| 84. Super15# orange bumping bar | 1 piece |
| 85. Steel external hex 6×40 | 2 pieces |
| 86. Washer ∅6X22X1.5 | 2 pieces |
| 87. 3×1TPP wheel | 2 pieces |
| 88. Suction support | 1 piece |
| 89. Suction head fixed pole | 2 pieces |
| 90. CB-461-14# | 2 pieces |
| 91. CB-461-04A | 1 pieces |
| 92. Wiping rubber bar | 1 piece |
| 93. Super16# orange bumping bar | 1 piece |
| 94. CB-461 suction head iron sheet | 1 piece |
| 95. ∅6×10×1 steel flat washer | 8 pieces |
| 96. CB-461-11# | 8 pieces |



Point A where the suction head is installed

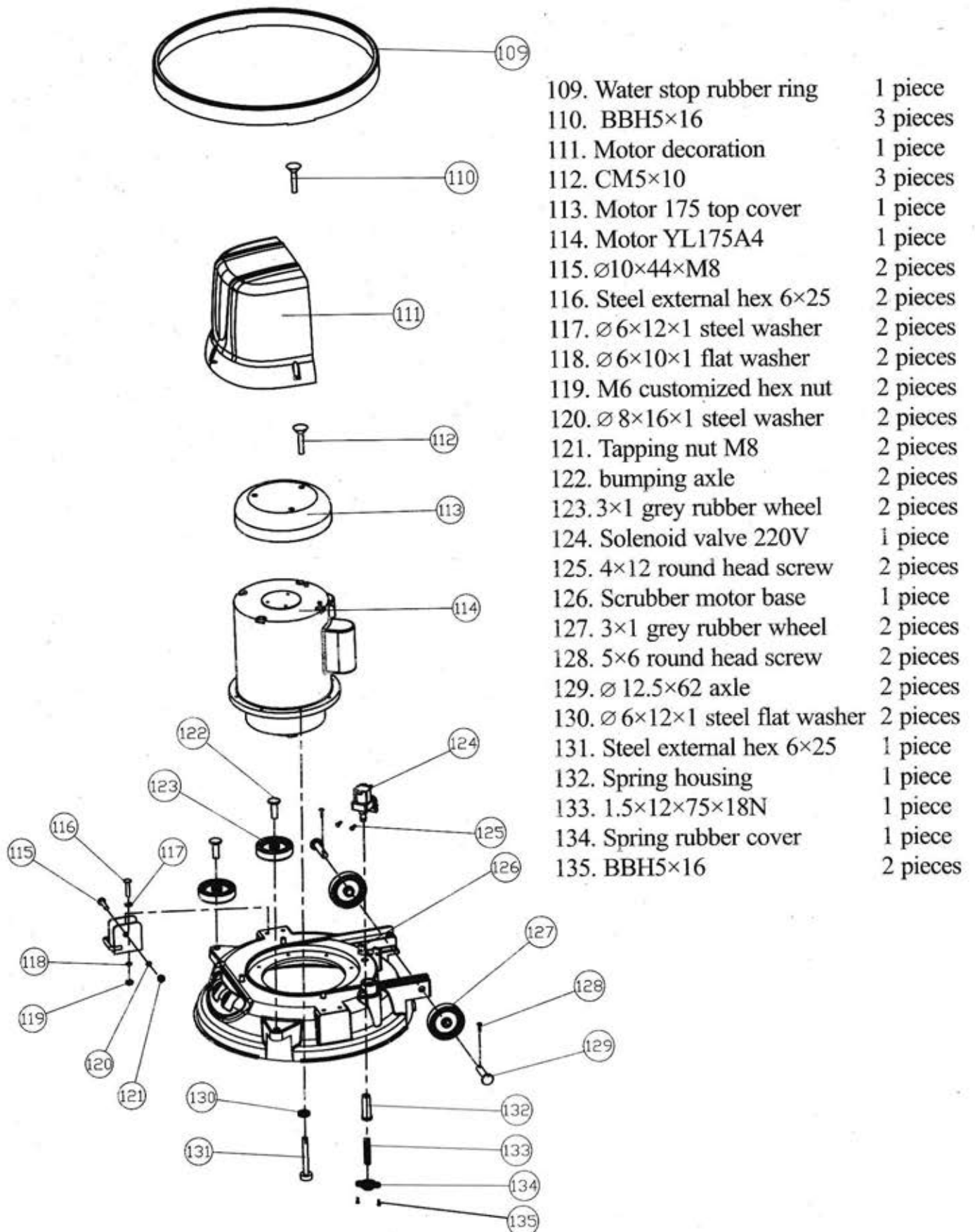


SC2A suction motor assembly exploded view

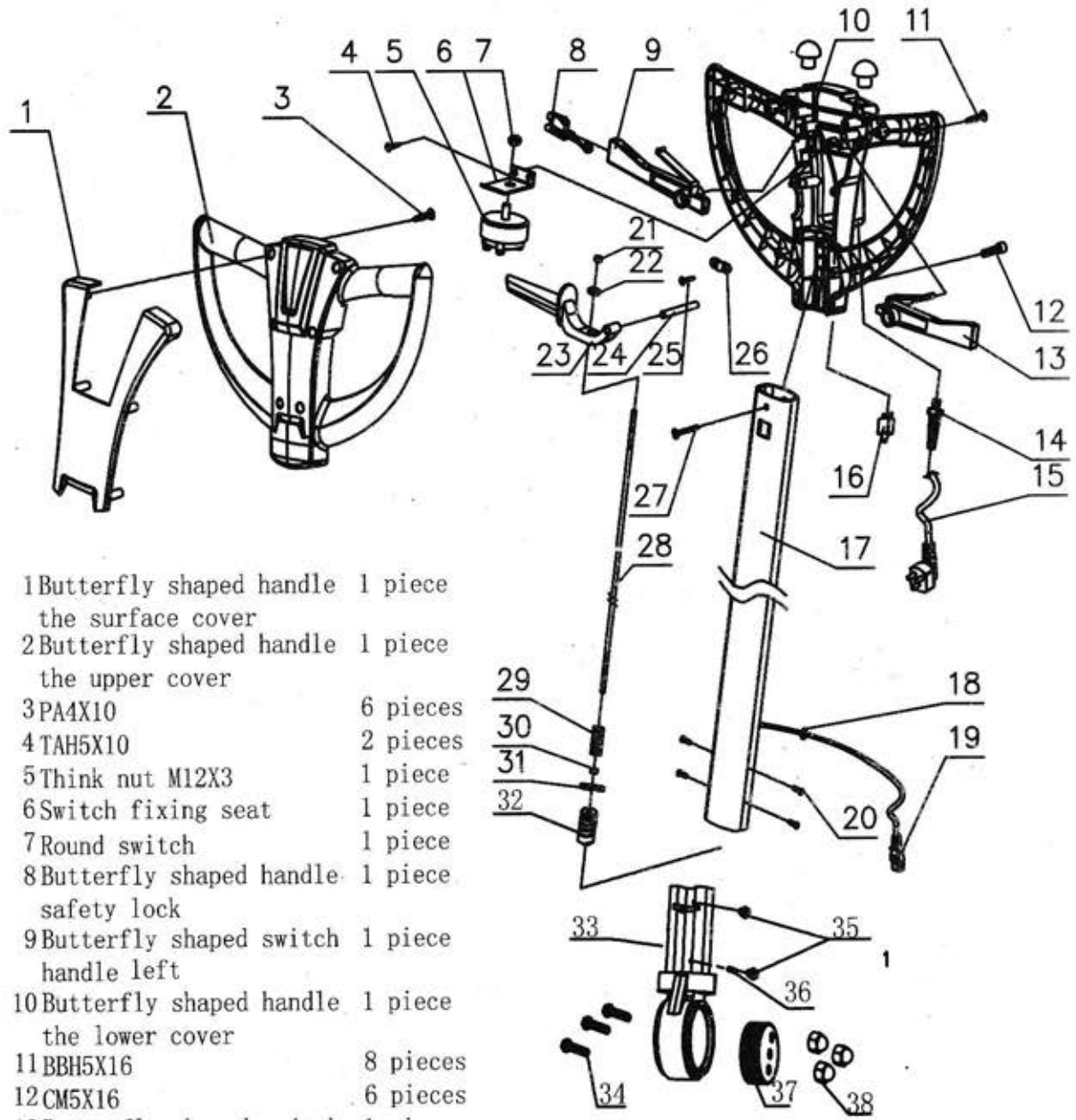


- | | |
|---------------------------------|----------|
| 97. BBH5×30 | 4 pieces |
| 98. Ø5 flat washer | 4 pieces |
| 99. Suction motor top cover | 1 piece |
| 100. Fixed motor support | 1 piece |
| 101. Suction motor (Type A) | 1 piece |
| 102. Motor washer (thin) | 1 piece |
| 103. Bolt 5×20 | 4 pieces |
| 104. Ø5 flat washer | 4 pieces |
| 105. Suction motor bottom cover | 1 piece |
| 106. Seal O ring | 1 piece |
| 107. Suction elbow | 1 piece |
| 108. BBH5×16 | 4 pieces |
| 101-1. Motor washer | 1 piece |

SC2A scrubber disc motor assembly exploded view



SC2A handle assembly exploded view



- 1 Butterfly shaped handle the surface cover 1 piece
- 2 Butterfly shaped handle the upper cover 1 piece
- 3 PA4X10 6 pieces
- 4 TAH5X10 2 pieces
- 5 Think nut M12X3 1 piece
- 6 Switch fixing seat 1 piece
- 7 Round switch 1 piece
- 8 Butterfly shaped handle safety lock 1 piece
- 9 Butterfly shaped switch handle left 1 piece
- 10 Butterfly shaped handle the lower cover 1 piece
- 11 BBH5X16 8 pieces
- 12 CM5X16 6 pieces
- 13 Butterfly shaped switch handle right 1 piece
- 14 PG9 extended spring 1 piece
- 15 Power cable 3X3.3mm²X12 1 piece
- 16 10A overload protector 1 piece
- 17 Elliptical tube 50mm 1 piece
- 18 Guard ring, ϕ 10 1 piece
- 19 Lead, 1.3m 1 piece
- 20 TM4X10 4 pieces
- 21 Tapping nut, M5 1 piece
- 22 Flat washer, ϕ 5X10X1 1 piece
- 23 Angle adjusting handle 1 piece
- 24 Pin, ϕ 6X62 1 piece
- 25 PA4X10 2 pieces

- 26 Cable clamp 1 piece
- 27 KM5X45 1 piece
- 28 Wire, ϕ 5X830 1 piece
- 29 Spring 1 piece
- 30 Nut, M5 1 piece
- 31 Washer 1 piece
- 32 Sharp tooth 1 piece
- 33 Aluminum wishbones 1 piece
- 34 HM8X45 3 pieces
- 35 HM6X10 2 pieces
- 36 4X20 splitpin 1 piece
- 37 Round tooth 1 piece
- 38 M8 nut 3 pieces